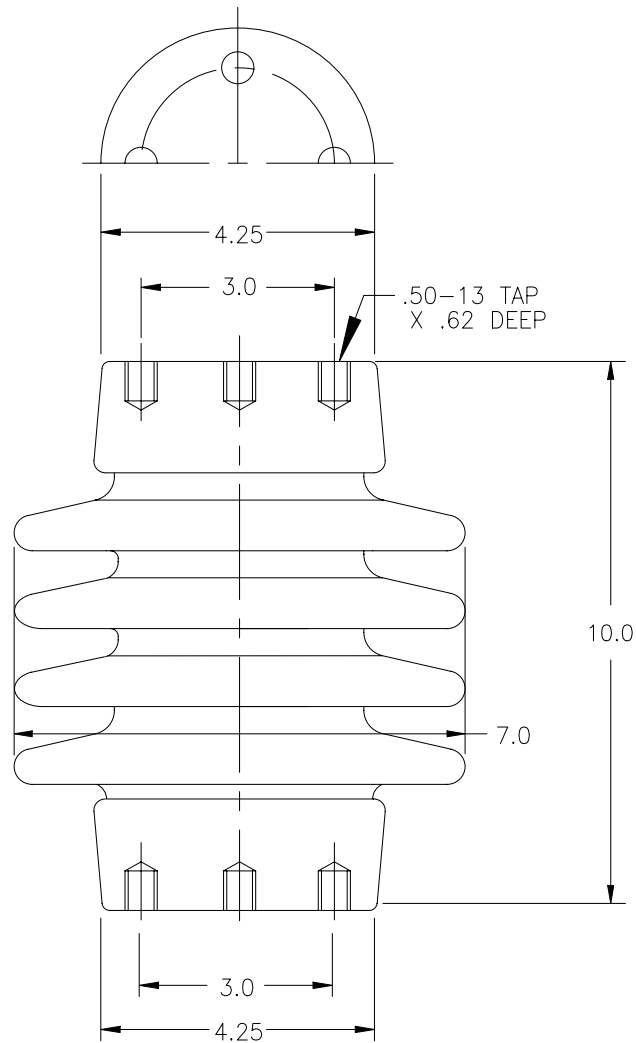


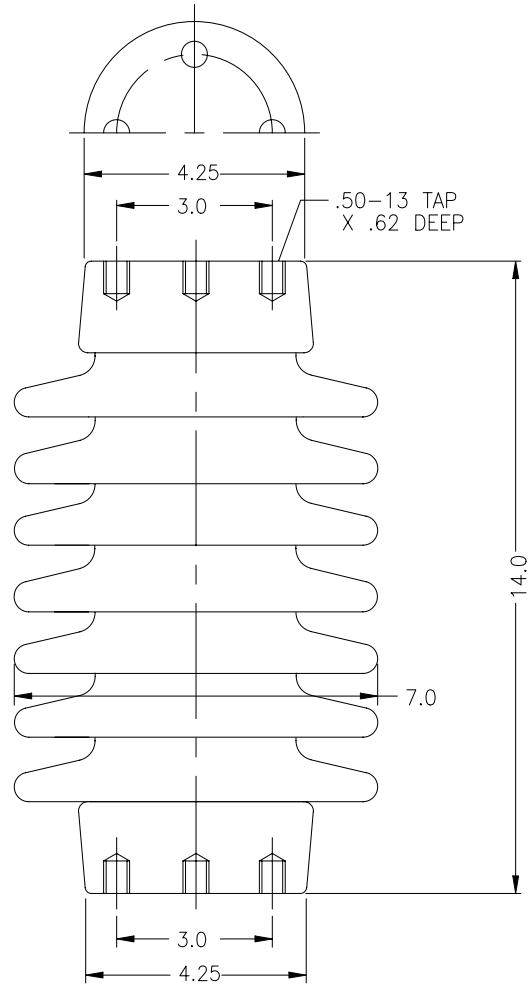
TITLE	7.5 kV POST INSULATOR (T.R. 202) BIL 95 KV
-------	--

CATALOG NO	3597A88H02
------------	------------

REV	
DATE	4/13/2009
SHEET	1 of 1



TITLE	15 kV POST INSULATOR (T.R.205) BIL 110 kV	CATALOG NO	3597A89H02	REV	
				DATE	4/13/2009
				SHEET	1 of 1



TITLE	23kV POST INSULATOR (T.R. 208) BIL 150 kV	CATALOG NO	3597A90H02	REV
				DATE 4/13/2009
				SHEET 1 of 1